

# The T-SUB loudspeaker



## T-SUB loudspeaker

The T-SUB is the subwoofer for the T-Series. It can be used to supplement T10 cabinets in various combinations, either flown or ground stacked.

The T-SUB cabinet is an actively driven bass-reflex design housing a long excursion 15" driver, its frequency response extending from 47 Hz to 100/140 Hz.

The cabinet is constructed from marine plywood and has an impact and weather protected PCP (Polyurea Cabinet Protection) finish.

The front of the cabinet is protected by a rigid metal grill backed by an acoustically transparent foam.

The cabinet top panel incorporates a handle.

## d&b amplifiers

The d&b audiotechnik loudspeaker range is designed exclusively for operation with d&b amplifiers. These provide power as well as comprehensive control and protection functions tailored to achieve the performance, reliability and longevity associated with the d&b system approach.

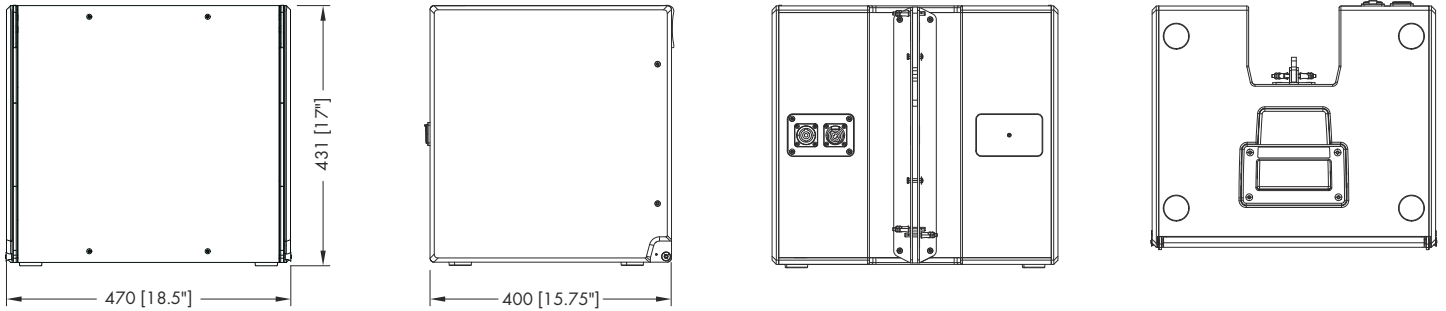
## System data

Frequency response (-5 dB standard) .....	47 Hz - 140 Hz
Frequency response (-5 dB 100 Hz mode) .....	47 Hz - 100 Hz
Max. sound pressure (1 m, free field) .....	
D6/10D .....	127 dB
D80/D40/D20/D12/40D/30D .....	130 dB
.....(SPLmax peak, pink noise test signal with crest factor of 4)	

## Loudspeaker data

Nominal impedance .....	8 ohms
Power handling capacity (RMS/peak 10 ms) .....	300/1600 W
Components .....	15" driver with neodymium magnet
Connections .....	2 x NLT4 F/M
.....	optional EP5
Pin assignment .....	NLT4 F/M: 2+ / 2-
.....	EP5: 3:+ / 4:-
Weight .....	17 kg (37 lb)

# The T-SUB loudspeaker



**T-SUB cabinet dimensions in mm [inch]**

## Architectural specifications

The loudspeaker shall consist of a 15" long excursion low frequency neodymium driver in bass-reflex design.

The loudspeaker shall only be operated by a dedicated, compatible controller amplifier.

The cabinet enclosure shall be made from marine plywood with an impact and weather resistant black paint finish.

The driver shall be protected by a rigid metal grill backed by an acoustically transparent foam.

The cabinet top panel shall incorporate one handle.

The cabinet shall incorporate a three point rigging system for the assembly of vertical SUB columns and/or mixed T-Series arrays in conjunction with a dedicated flying frame.

The connection panel on the back shall be fitted with two EP5 sockets (NL4 connectors as an option).

The power handling capacity shall be 300 W RMS and 1600 W peak (10 ms). The frequency response (-5 dB) measured on axis shall be 47 Hz to 140/100 Hz with a maximum sound pressure of at least 130 dB.

The dimensions (W x H x D) shall not exceed 470 x 431 x 400 mm (18.5" x 17" x 15.75") and shall weigh no more than 17 kg (37 lb).

The loudspeaker shall be the T-SUB by:

d&b audiotechnik GmbH & Co. KG.